

JCM Service Saddles

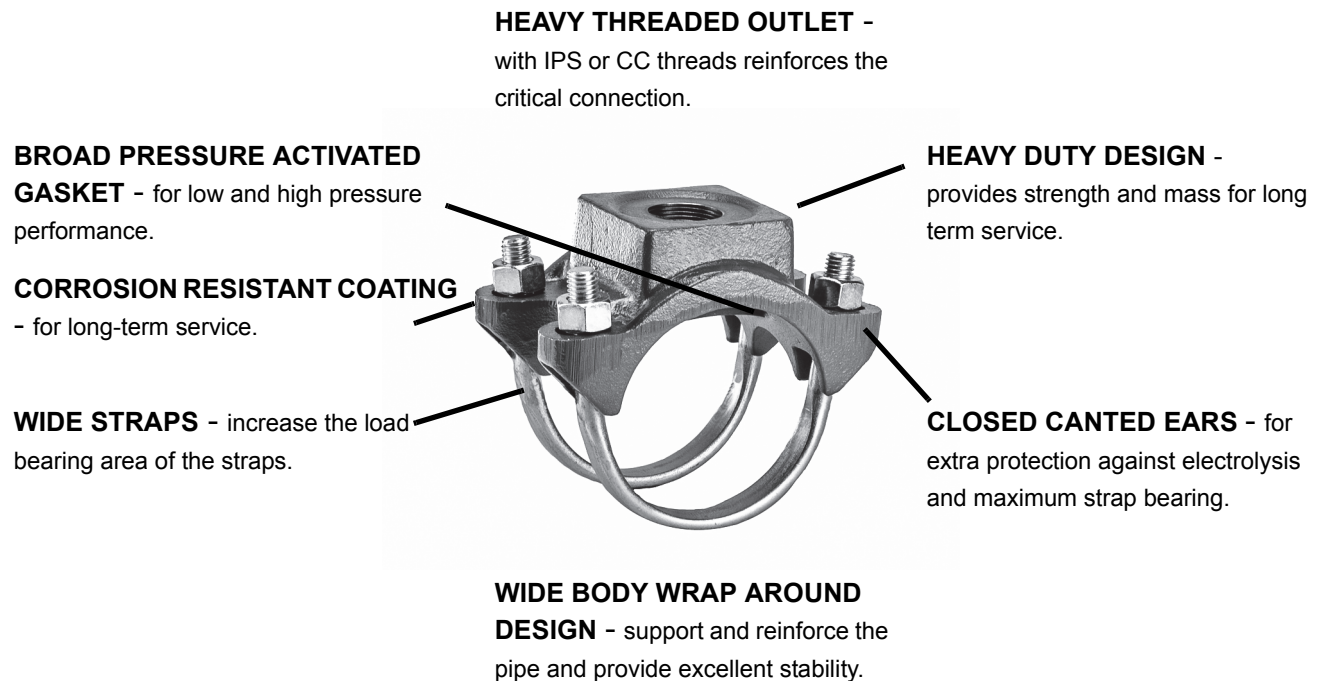
JCM Service Saddles provide a quick, dependable means of tapping pipe for branch connections of 1/2" through 2-1/2". Use of economical JCM Service Saddles eliminate problems common to direct taps, such as leaking threads or split pipe, and reinforces the critical connection.

JCM Service Saddles are designed for maximum safety and performance. The wrap around design, wide skirt and wide straps support and reinforce the pipe while providing excellent stability to the saddle. The heavy duty design of these saddles provides strength and mass for long term service.

High pressure performance is assured by the broad, pressure activated gasket. Permanently set in a retaining cavity, the contoured gasket produces a positive initial seal which increases with increase in line pressure.

The JCM 402, 404, 406, 408 saddles, with their wide bodies and large sealed outlet areas, provide an excellent means of repairing holes, pin holes and leaking 3/4" and 1" direct taps.

DESIGNED FOR SAFETY AND PERFORMANCE



MATERIAL SPECIFICATIONS - JCM SERVICE SADDLES

Body: Ductile Iron ASTM A536

Straps: **Models 401, 402, 407, 408** - Electro Galvanized Steel

Models 403, 404, 405, 406 - Bands, Bolts, Nuts and Washers are 18-8 Type 304 Stainless Steel.

Gasket: Nitrile Butadiene Rubber (NBR, Buna-N) per ASTM D2000. Molded virgin rubber with a pressure activated hydromechanical design. Gasket is bonded into a cavity for internal and external retention. Gasket temperature range -40°F to 212°F (-40°C - 100°C) Gasket suitable for water, salt solutions, mild acids, bases, and sewage. Optional EPDM gasket available.

Finish: **Models 401, 402, 403, 404** - Standard Shop Coat Primer: Heavy coat of corrosion resistant metal primer.

Models 405, 406, 407, 408 - Fusion Plastic Coating: fusion bonded, high density blue plastic coating, 12 mils minimum thickness with a dielectric strength of over 12,000 volts.

JCM Service Saddles - Single Strap
JCM 401 Single Strap Service Saddle with Electro Galvanized Strap
JCM 403 Wide Body Service Saddle with Stainless Steel Strap

The **JCM 401 Single Strap Service Saddle** is designed for maximum safety, performance and economy. The wrap around design, broad, pressure activated gasket and corrosion electro galvanized steel strap provide for ease of installation, high pressure performance and a long service life.

The **JCM 403 Wide Body Service Saddle** utilizes an extra wide stainless steel strap with the broad, wrap around single strap saddle body to provide extra support and stability as well as to eliminate point loading. The 403 is especially recommended for PVC, thin wall pipe and pipe sensitive to point loading.

NOM. PIPE SIZE (IN.)	PIPE O.D. RANGE (IN.)	APPR WT. EACH (LBS.)	CTN. QTY.	JCM 401 SERVICE SADDLE	JCM 403 SERVICES SADDLE
				CATALOG NUMBER X TAP CODE	CATALOG NUMBER X TAP CODE
2	2.35 - 2.63	2.5	12	*401-0238 X --	*403-0238 X --
2-1/2	2.70 - 3.13	3.0	12	*401-0288 X --	*403-0288 X --
3	3.25 - 3.50	3.0	12	*401-0350 X --	*403-0350 X --
3 - 4	3.80 - 4.13	3.0	12	N/A	*403-0413 X --
4	4.25 - 4.50	4.5	10	401-0450 X --	403-0450 X --
4	4.50 - 4.80	4.5	10	401-0480 X --	403-0480 X --
4	4.74 - 5.45	4.5	10	*401-0545 X --	*403-0545 X --
6	6.50 - 6.63	4.5	10	401-0663 X --	403-0663 X --
6	6.63 - 6.90	4.5	10	401-0690 X --	403-0690 X --
6	6.84 - 7.60	4.5	10	401-0745 X --	403-0745 X --
8	8.50 - 8.63	5.0	10	401-0863 X --	403-0863 X --
8	8.63 - 9.05	5.0	10	401-0905 X --	403-0905 X --
8	8.99 - 9.79	5.0	10	401-0963 X --	403-0963 X --
10	10.60 - 10.75	5.5	6	401-1075 X --	403-1075 X --
10	10.75 - 11.10	5.5	6	401-1110 X --	403-1110 X --
10	11.10 - 11.40	5.5	6	401-1140 X --	403-1140 X --
10	11.00 - 12.25	5.5	6	401-1225 X --	403-1225 X --
12	12.60 - 12.75	6.0	6	401-1275 X --	403-1275 X --
12	12.75 - 13.20	6.0	6	401-1320 X --	403-1320 X --
12	12.75 - 13.50	6.0	6	401-1350 X --	403-1350 X --
12	13.10 - 14.38	6.0	4	401-1426 X --	403-1426 X --

*Not available in 1-1/4, 1-1/2, 2, 2-1/2 Outlets

HOW TO ORDER

1. Determine O.D. of pipe, outlet size and thread type.
2. Select desired saddle type and tap order code.
3. Look under saddle listing to determine order number. Add tap code after base catalog number.

Example: For 6" C.I. Pipe with O.D. of 6.90 with 1" IP thread, order: 401-0745 x 08IP. For stainless steel strap, order: 403-0745 x 08IP.

OUTLET SIZES	TAP CODES IP	TAP CODES CC
1/2"	04	--
3/4"	06	07
1"	08	09
1-1/4"	10	11
1-1/2"	12	13
2"	14	15
2-1/2"	16	--

**JCM
401
407**



**JCM
403
405**



**JCM 403/405
Strap Service
Saddles with
outlets
1-1/4" - 2-1/2"**

