



JCM Industries, Inc.

**Fittings & Fabrications
for Repair - Connection - Branching
All Types and Sizes of Pipe**

JCM Industries, Inc.
P.O. Box 1220 - Nash, TX 75569-1220
Office: 903-832-2581, Fax: 903-838-6260
www.jcmindustries.com

Call Toll Free: 800-527-8482
Fax Toll Free: 800-874-9524
Email: sales@jcmind.com

JCM 617 Weld On Restrainer/Joint Harness Assembly

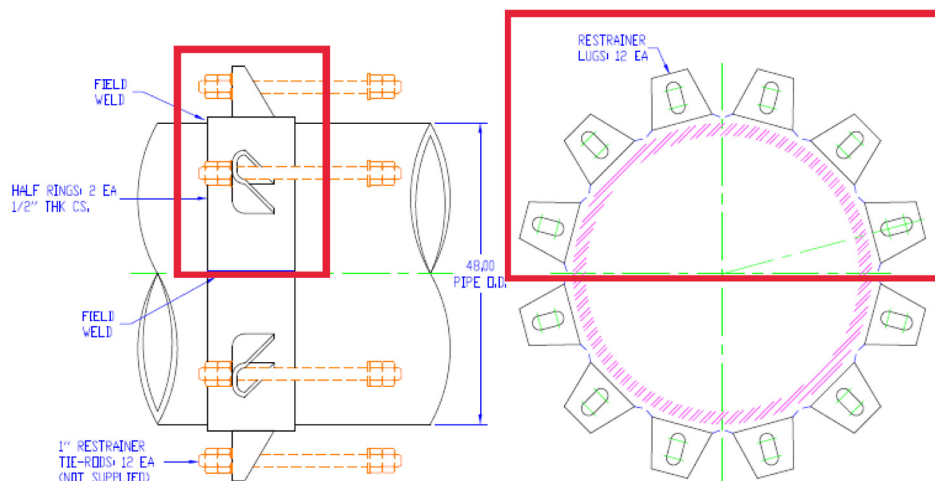
The JCM 617 Fabricated Weld On Restrainer Assembly is designed to provide permanent restraint for fittings installed in carbon and stainless steel pipelines. The JCM 617 Weld On Restrainers are available fabricated of carbon steel, 304 or 316 stainless steel and can be custom designed to the specific application.

The JCM 617 consists of an appropriate number of bolting lugs/loops (dependent upon size) that are welded to (2) rolled half rings that are permanently welded to the pipeline. JCM 617's can be installed to provide restraint directly to the fitting (when anchor loops are present) or with restraining tie rods that extend across the fitting to the opposite side pipe restraint product (JCM or third party restrainer). Quantity and size of tie rods are determined by nominal pipe size, opposite restraint product or by customer provided information. Tie rods provided by JCM is optional.

Standard working pressure allowable: 150PSI, for higher working pressures contact JCM Industries Engineered/Technical Sales.

For quotation or ordering, the following information is required:

- Type of Pipe
- Nominal Size of Pipe
- Outside Diameter of Pipe
- Dimensions of fitting to restrain or restrain over
- Material of construction
- Pressure rating requirements
- Number & Size of restraining tie rods
- Mating Third Party Restrainer - manufacturer or bolting pattern/size
- Any special coatings, materials or customer required modifications



**Typical Application:
Restraint
Permanent
Recommended for**

Carbon or Stainless Steel Pipe

**Applications in which the pipe
may move or pull out of an
installed pipeline fitting**

**For application parameters,
contact JCM Engineered and
Technical Sales
800-527-8482 or 903-832-2581**

JCM 617 Weld On Restrainer/Join Harness Assembly

MATERIAL SPECIFICATIONS

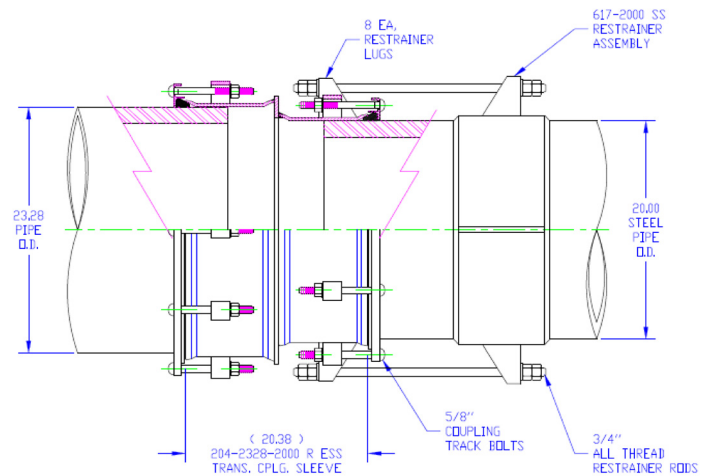
- Body:** Carbon Steel per ASTM A36, A516 GR 70 or equal. Optional 304 or 316 Stainless Steel.
- Finish Options:** Bare, clean metal for welding
 Heavy coat of corrosion resistant shop coat primer which is an excellent base for bitumastic coal tar or similar field coatings.
 Fusion Epoxy Coating available.

Examples of Typical Installation Options for the JCM 617 Weld On Restraint Assembly

Application: Fitting Restraint

20" Steel Pipe
 Restrainer
 JCM 617-2000

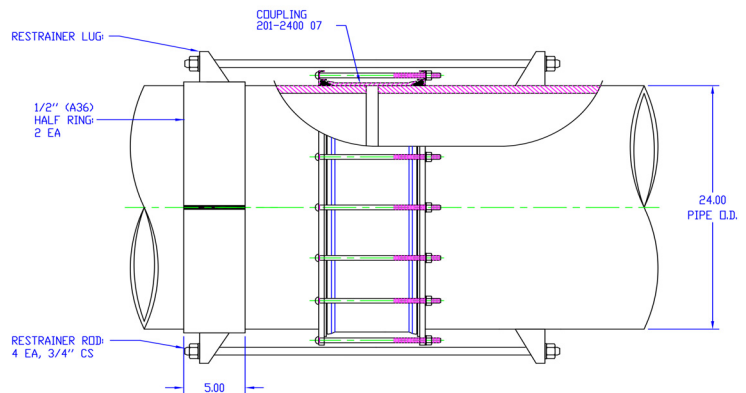
Installed Fitting
 Transition Coupling
 JCM 204-2228-2000



Application: Pipe Restraint to Third Party Restrainer

24" Steel Pipe
 Restrainer
 JCM 617-2400

Installed Fitting
 Coupling
 JCM 201-240007



Application: Pipe Restraint

30" Steel Pipe
 Restrainer
 JCM 617-3000

Installed Fitting
 Coupling
 JCM 201-300007

