



JCM Industries, Inc.

**Fittings & Fabrications
for Repair - Connection - Branching
All Types and Sizes of Pipe**

JCM Industries, Inc.
P.O. Box 1220 - Nash, TX 75569-1220
Office: 903-832-2581, Fax: 903-838-6260
www.jcmindustries.com

Call Toll Free: 800-527-8482
Fax Toll Free: 800-874-9524
Email: sales@jcmind.com

JCM 607 Weld On Restrainer/Joint Anchor Loops

The JCM 607 Fabricated Weld On Restrainer/Joint Anchor Loops are designed to provide permanent restraint for fittings installed in carbon and stainless steel pipelines. The JCM 607 Fabricated Weld On Restrainer/Joint Anchor Loops are available fabricated of carbon steel, 304 or 316 stainless steel and can be custom designed to the specific application.

The JCM 607 consists of an appropriate number of anchor loops (dependent upon pipe size) that are permanently field welded directly to the pipeline. JCM 607's can be installed to provide restraint directly to the fitting (when anchor loops on the fitting are present) or with restraining tie rods that extend across the fitting to the opposite side pipe restraint product (JCM or third party restrainer). Quantity and size of anchor loops tie rods are determined by nominal pipe size, opposite restraint product or by customer provided information. Tie rods provided by JCM is optional.

Standard working pressure allowable: 150PSI, for higher working pressures contact JCM Industries Engineered/Technical Sales.

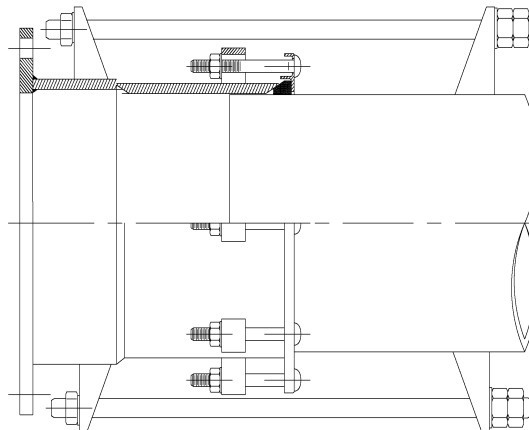
For quotation or ordering, the following information is required:

Type of Pipe
Nominal Size of Pipe
Outside Diameter of Pipe
Dimensions of fitting to restrain or restrain over
Material of construction
Pressure rating requirements
Number & Size of restraining tie rods
Mating Third Party Restrainer - manufacturer or bolting pattern/size
Any special coatings, materials or customer required modifications

Application: Fitting Restraint

**20" Steel Pipe
Weld On Restrainer Anchor Loops
JCM 607-2000 Welded to Steel Pipe**

**Installed Fitting
Flanged Coupling Adapter
JCM 303-3600X 36 R w/607 Anchor Loops**



**Typical Application:
Restraint
Permanent
Recommended for**

Carbon or Stainless Steel Pipe

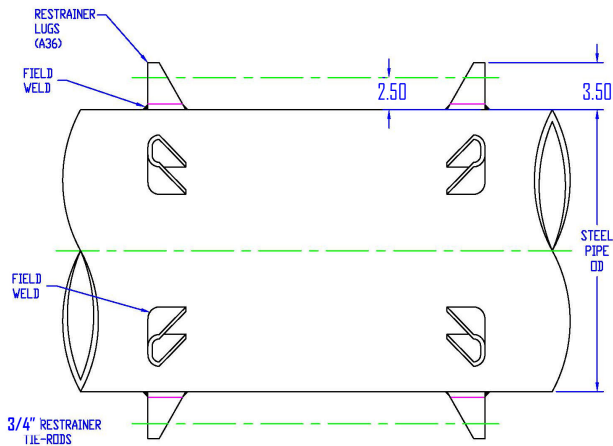
**Applications in which the pipe
may move or pull out of an
installed pipeline fitting**

**For application parameters,
contact JCM Engineered and
Technical Sales
800-527-8482 or 903-832-2581**

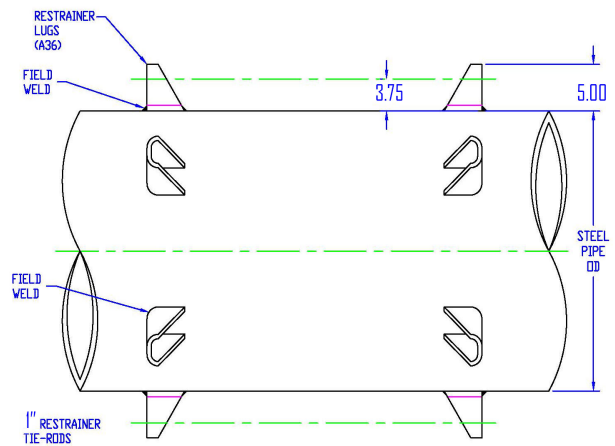
JCM 607 Weld On Restrainer/Joint Anchor Loops

MATERIAL SPECIFICATIONS

- Body:** Carbon Steel per ASTM A36, A516 GR 70 or equal. Optional 304 or 316 Stainless Steel.
- Finish Options:**
- Bare, clean metal for welding
 - Heavy coat of corrosion resistant shop coat primer which is an excellent base for bitumastic coal tar or similar field coatings.



JCM 607 Restrainer Anchor Loops for 3/4" Tie Rods



JCM 607 Restrainer Anchor Loops for 1" Tie Rods

Application: Pipe Restraint for Coupling Joint
24" Steel Pipe
Restrainer
JCM 617-2400

Installed Fitting
Steel Coupling
JCM 201-240007

Opposite Steel Pipe Restraint
JCM 607 Restrainer Anchor Loops
Welded directly to pipe

